

Installation and Setup Guide

General Information

The Takeover Module allows Resideo PRO Series control panels to communicate with previously installed wireless sensors and modules that transmit on the following frequencies:

319.5MHz, 345MHz, 433.42 and 433.92MHz. Refer to the PROTAKEOVER Compatibility Chart (p/n 800-24626 or later).

The module connects directly to the control panel and is powered via the control panel's connection.

Note: The module should not be used with life safety sensors such as Smoke, Heat or CO detectors.

INSTALLING THE MODULE



Ensure that all electrical power is removed from the control before installing the module. Unplug the power supply and disconnect the backup battery.

1. Remove electrical power (if applied). Refer to the *System Shutdown* section for additional information.
2. Remove the screw securing the control to the wall mount. Rotate the Control Panel and lift it from the wall mount, being careful not to damage the wiring.
4. Remove the right side cover.
5. Set the rotary switch on the PROTAKEOVER module to the setting associated with the existing wireless sensors and modules and the Control Panel. Refer to Table 1 for the supported protocols.
6. Insert the PROTAKEOVER module into the slot on the right side of the Control Panel as shown and ensure the receptacle is securely seated on the Control Panel's edge connector. Secure with the provided screw.
7. Reinstall the access cover, taking care to avoid bending the contacts on the module.
8. Remove the existing wall mount and replace with the wall mount (containing the integrated antenna) provided with PROTAKEOVER module.

Note: To avoid damaging the connector pins on the module, do not force the rear case during the installation.

9. Install the control on the replacement wall mount and secure with the screw.

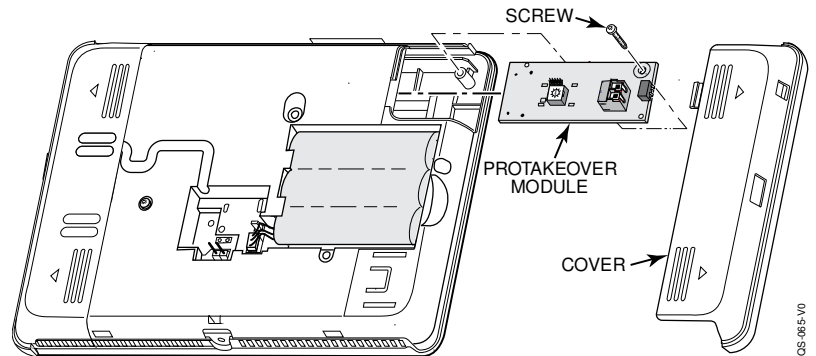


Figure 1. Installing the PROTAKEOVER Module

Protocol	PROA7 Series
5800	0
2GIG	1
DSC	2
ITI/Qolsys	3
Bosch	4

Table 1 – Rotary Switch Settings

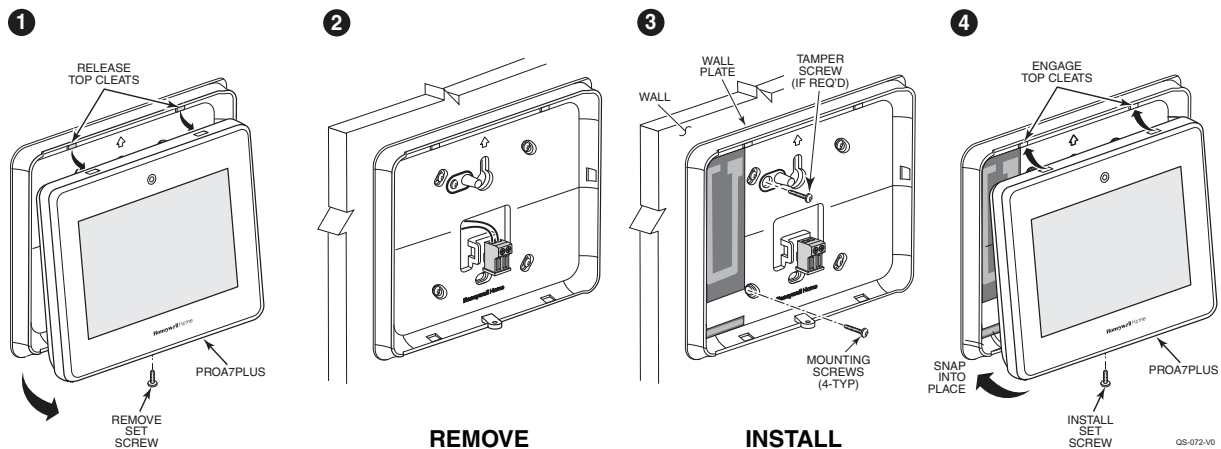


Figure 2. Replacing the Wall Mount

PROGRAMMING

Programming associated with the PROTAKEOVER module is accomplished as part of the control panel programming. Refer to the control panel installation and setup guide for additional information.

SPECIFICATIONS

Board Dimensions:..... 2.64" (67mm) L x 1.18" (30mm) W x 0.063" (1.6mm) D

Current Drain:< 35mA, standby

Input Voltage: 5V (provided by the control panel)

Environmental

Operating Temperature: -10°F (-23°C) to 131°F (55°C) (for compliance agency 32°F (0°C) to 120°F (49°C))

Storage Temperature: -40°F (-40°C) to 158°F (70°C)

Humidity: 10 to 90% relative humidity, non-condensing (for compliance agency 0% to 85%)

REFER TO THE INSTALLATION AND SETUP GUIDE FOR THE CONTROL WITH WHICH THIS DEVICE IS USED FOR WARRANTY INFORMATION AND LIMITATIONS OF THE ENTIRE SYSTEM.

FEDERAL COMMUNICATIONS COMMISSION ISED STATEMENTS

The user shall not make any changes or modifications to the equipment unless authorized by the Installation Instructions or User's Manual. Unauthorized changes or modifications could void the user's authority to operate the equipment.

FCC CLASS B STATEMENT

This equipment has been tested to FCC requirements and has been found acceptable for use. The FCC requires the following statement for your information:

This equipment generates and uses radio frequency energy and if not installed and used properly, that is, in strict accordance with the manufacturer's instructions, may cause interference to radio and television reception. It has been type tested and found to comply with the limits for a Class B computing device in accordance with the specifications in Part 15 of FCC Rules, which are designed to provide reasonable protection against such interference in a residential installation. However, there is no guarantee that interference will not occur in a particular installation. If this equipment does cause interference to radio or television reception, which can be determined by turning the equipment off and on, the user is encouraged to try to correct the interference by one or more of the following measures:

- If using an indoor antenna, replace it with a quality outdoor antenna.
- Reorient the receiving antenna until interference is reduced or eliminated.
- Move the radio or television receiver away from the receiver/control.
- Move the antenna leads away from any wire runs to the receiver/control.
- Plug the receiver/control into a different outlet so that it and the radio or television receiver are on different branch circuits.
- Consult the dealer or an experienced radio/TV technician for help.

ISED CLASS B STATEMENT

This Class B digital apparatus complies with Canadian ICES-003.

Cet appareil numérique de la classe B est conforme à la norme NMB-003 du Canada.

FCC / ISED STATEMENT

This device complies with Part 15 of the FCC Rules, and ISED's license-exempt RSSs. Operation is subject to the following two conditions: (1) This device may not cause harmful interference (2) This device must accept any interference received, including interference that may cause undesired operation.

Cet appareil est conforme à la partie 15 des règles de la FCC et exempt de licence RSS d'ISED. Son fonctionnement est soumis aux conditions suivantes: (1) Cet appareil ne doit pas causer d'interférences nuisibles. (2) Cet appareil doit accepter toute interférence reçue y compris les interférences causant une réception indésirable.

RF Exposure Warning

The antenna(s) used for this transmitter must be installed to provide a separation distance of at least 7.8 inches (20 cm) from all persons and must not be co-located or operating in conjunction with any other antenna or transmitter except in accordance with FCC and ISED multi-transmitter product procedures.



Mise en Garde

Exposition aux Fréquences Radio: La/les antenne(s) utilisée(s) pour cet émetteur doit/doivent être installée(s) à une distance de séparation d'au moins 20 cm (7,8 pouces) de toute personne et ne pas être située(s) ni fonctionner parallèlement à tout autre transmetteur ou antenne, excepté en conformité avec les procédures de produit multi transmetteur FCC et ISEDs.

Responsible Party / Issuer of Supplier's Declaration of Conformity: Ademco Inc., a subsidiary of Resideo Technologies, Inc., 2 Corporate Center Dr., Melville, NY 11747, Ph: 516-577-2000.

The product should not be disposed of with other household waste. Check for the nearest authorized collection centers or authorized recyclers. The correct disposal of end-of-life equipment will help prevent potential negative consequences for the environment and human health. Any attempt to reverse-engineer this device by decoding proprietary protocols, de-compiling firmware, or any similar actions is strictly prohibited.

WARRANTY & SUPPORT

For Documentation and Support visit: www.resideo.com.

For Warranty information visit: www.security.honeywellhome.com/warranty.



resideo

www.resideo.com

Resideo Technologies, Inc.
2 Corporate Center Drive, Suite 100
P.O. Box 9040, Melville, NY 11747

© 2020 Resideo Technologies, Inc. All rights reserved.

The Honeywell Home trademark is used under license from Honeywell International, Inc.

This product is manufactured by Resideo Technologies, Inc. and its affiliates.



800-25182B 6/19 Rev. B