

ADC-VDB770 Installation Overview

JOB AID

INSTALLATION OVERVIEW

PRE-INSTALL

- Run a speed test (requires minimum 2.5Mbps upload speed)
- Test existing chime for functionality
- Verify voltage and power (requires 16-30V AC, 10 VA)
- Turn off electricity to the transformer

INSTALL

- Install the power module
- Install a mounting bracket and the doorbell backplate
- Attach the Video Doorbell
- Turn electricity back on to the transformer
- Connect the Video Doorbell to the Wi-Fi network
- Enroll the Video Doorbell to the customer account

POST-INSTALL

- Test live video and Two-Way Audio
- Configure chime type and verify chime functionality
- Configure mounting bracket selection
- Test interaction with other devices (if applicable) from call screen
- Create and test Doorbell Call recording rule and Doorbell Call notification
- Create and test Video Analytics recording rule and configure associated notification

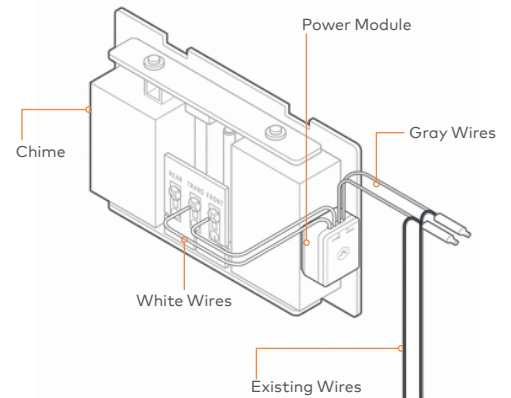


Click or scan here for more information on the Alarm.com Video Doorbell.

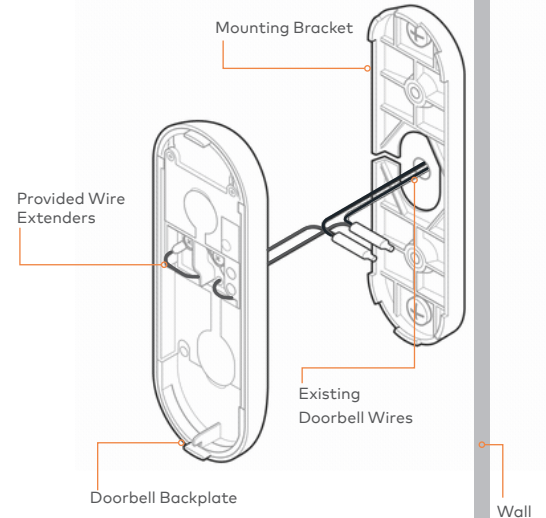
[Knowledge Base landing page](#)



INSTALL THE POWER MODULE



INSTALL A MOUNTING BRACKET AND THE DOORBELL BACKPLATE



Click or scan here for a detailed overview of the ADC-VDB770 installation process

[ADC Video Doorbell Installation Guide](#)



LED GUIDE		
LED Pattern	Description	Button Push Duration
No LED	Power off	—
Flashing red	Power on, camera booting	—
Solid red	No local or Internet connection	—
Flashing green	Local network connection	—
Solid green	Connected to Alarm.com	—
Flashing blue	WPS mode	30-45 seconds
Flashing white	Wi-Fi Access Point (AP) mode	45-60 seconds
Flashing yellow	Camera power cycling	60-75 seconds
Alternating red & green	Camera resetting to factory default	>75 seconds