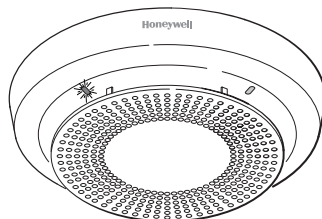
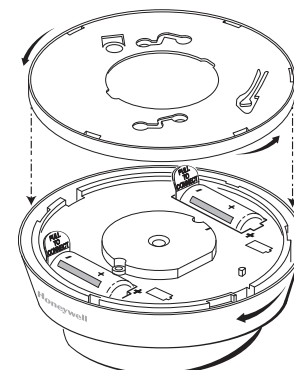


This wireless smoke/heat detector is intended for use with Honeywell controls that support SiX™ series devices.

To remove the mounting bracket, turn the top of the detector 15 degrees counterclockwise and separate the mounting bracket and top cover.



SiXSMOKE / SiXSMOKE-CN



Open

Enroll

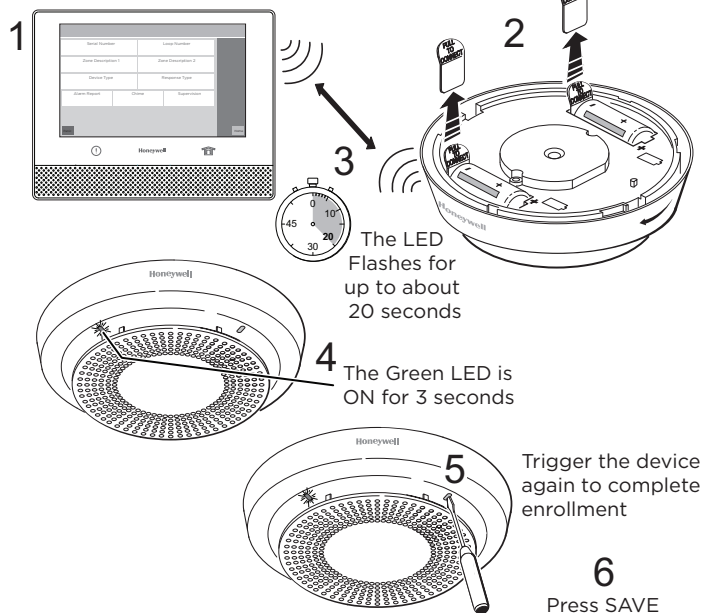
This device can be enrolled and programmed either before or after installation.

1. Set the *Lyric Controller* in Programming Mode and go to Zone Programming. Select Add New and then Serial Number.
2. Remove the battery tabs to activate the device and begin the enrollment process.
3. The Green LED flashes rapidly during enrollment (up to about 20 seconds*).
*NOTE: Enrollment time varies depending on the signal strength between the device and the controller.
 - The detector sends its unique MAC ID (Serial Number) and Services information to the controller.
 - The controller registers the device and displays the transmitter data on screen.
4. Enrollment is confirmed when the Green LED is ON for 3 seconds and the device chirps.
5. Repeat the process, pressing the Test Switch to start enrollment, and select Heat Sensor Device type to enroll the heat sensor. The device will enroll the same MAC ID in another Zone.
6. Press SAVE.

If the detector is not successfully enrolled during the enrollment period, the LED turns off and the device powers down. Activate the tamper or press the Test switch to restart the enrollment process.

The device can also be manually enrolled. See the Controller's Programming Guide for details.

Programming Mode > Zones >
Add New > Serial Number



Enroll

After enrolling, update the detector firmware (via the Controller) to ensure the latest version is used. See the Controller's instructions.

NOTE: Once enrolled in a system, the detector cannot be used with another controller until it is removed from the current controller. See the Controller's instructions for details.

Program

Consult the Controller's instructions to program the device in the system.

Fault device features to learn the device Services in the controller:

- Smoke and Heat detector - Reports to panel:
 - Smoke Alarm when smoke is detected
 - Temperature Alarm when temperature of 135° F (57° C) or greater OR when there is a temperature increase of 15° F (8.33° C) or greater within one minute
- Percentage of obscuration (smoke or dirt in the detector)
- Cover tamper: The 10 minute tamper timer is reset every time the tamper switch is closed and opened or the detector cover is opened.
- Supervision – 200 second check-in compatible

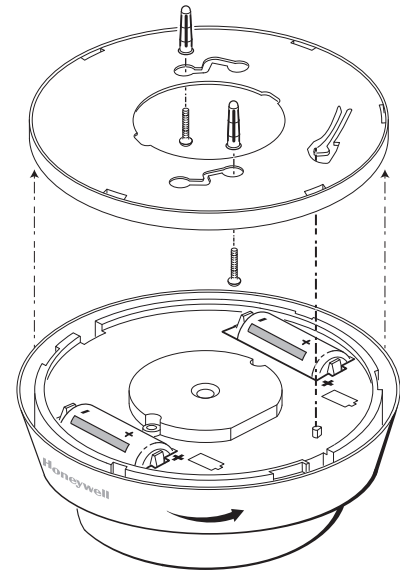
NOTE: If programmed in the panel to operate in one-go-all-go mode, all smoke detectors programmed as one-go-all-go in the system will sound on alarm.

Mount

Refer to the System Smoke Detectors Application Guide (P/N SPAG9101) and the Limitations of Fire Alarm Systems (P/N 800-15144) for detailed information on detector spacing, placement zoning and special applications. Copies of this document are available on <https://mywebtech.honeywell.com/>.

NOTE: Before mounting the detector permanently, conduct Go/No Go tests (see control's instructions) to verify adequate signal strength and adjust the device location and orientation as necessary.

The detector can be mounted on the ceiling or on the wall (if local ordinances permit). Select a location and mount using the included mounting hardware.



Mount

Test

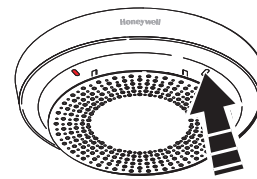
The detector should be tested immediately after installation and at least once a year.

Recommended: To prevent unwanted alarms, notify the Central Station that the smoke detector system is undergoing maintenance before testing begins.

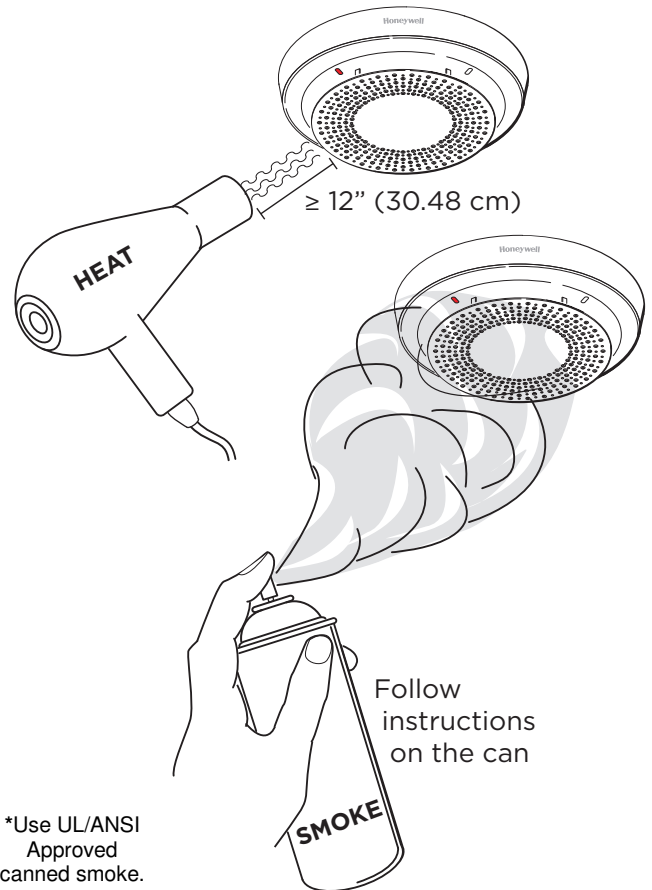
Test Mode can be activated remotely from the Controller (see the Controller's manual), or on-site by pressing the test switch.

Tests and testing methods:

- Test Switch –
 - press and release to check circuitry functionality;
 - press and hold for 3 seconds to test the sounder (the device will emit a temporal tone).
- Direct Heat Test (hair dryer)
- Smoke Entry Test (canned smoke*)
- Signal Strength (signal strength information is sent with every communication to the panel.)
- Programmed Services [Loops].



Press for 3 seconds



*Use UL/ANSI Approved canned smoke.

Test

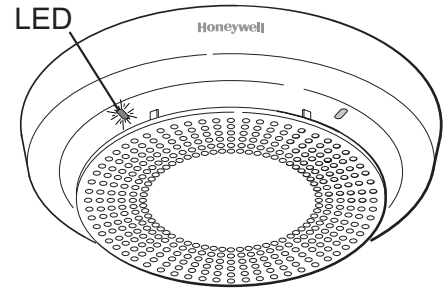
LEDs and Sounder

The SIXSMOKE / SiXSMOKE-CN has one bi-colored LED and an 85dB sounder. Refer to the following table for operation of these features.

LED and Sounder Indication Table

R = Red ○ = ON ⦿ = Slow Flash 🗣️ = Chirp
 G = Green ⦿ = Rapid Flash 🗣️)) = Temporal Tone

R	G	Sounder	Status
	⦿ -20 sec, ⦿ 3 sec	🗣️)	Power Up – Enrollment
	⦿ 3 sec	🗣️)	Power Up – Device enrolled
	⦿ 1 x every 10 sec		Normal mode
⦿	⦿ Alternate every 10 sec		Processing Controller queries
⦿ 1 x every 5 sec			Maintenance ¹
⦿ 1 x every 1 sec		🗣️))	Test Alarm ^{2a, 2b}
⦿ 1 x every 4 sec		🗣️))	Heat Alarm ³
⦿ 1 x every 1 sec		🗣️))	Smoke Alarm
⦿ 1 x every 45 sec		🗣️)	Low Battery ⁴
	⦿ 10 min		Tamper Activated



¹ The Maintenance type is reported by the controller. See the Maintenance Section below for details.

^{2a} Test mode is activated by the test switch or from the panel. The detector is functioning properly (within proper sensitivity).

^{2b} If Test mode is activated and the LED and Sounder do not function, check for maintenance or trouble conditions.

³ The Heat alarm triggers when the device senses heat of 135° F (57° C) or greater, or the temperature rises 15° F (8.33° C) or more within 1 minute.

⁴ Recommended: Replace Battery before the device starts chirping. The device starts chirping after 7 days and continues until the batteries are replaced or die. To quiet the sounder for 5 minutes, press the Test Switch (does not work when set in one-go-all-go mode). See Battery Replacement section.

To silence the detector:

Press the test switch or disarm the system at the controller. The detector sounds again after 5 minutes if the alarm condition continues. When programmed in one-go-all-go mode, the detector can only be silenced from the controller.

Maintenance

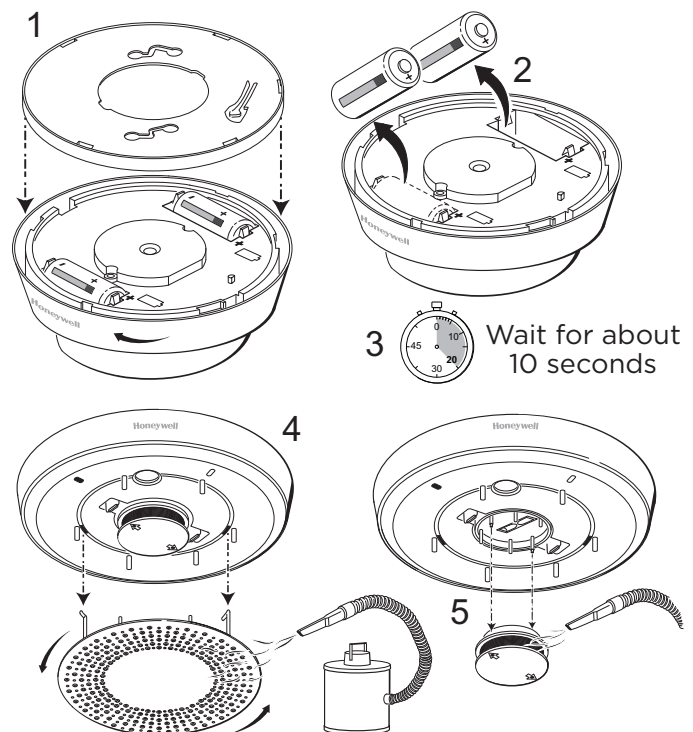
When testing, if the sensitivity is outside the proper range, the detector will send a Trouble signal to the controller through the Honeywell Interface module and the detector's red LED will flash every five seconds. The controller will report a Low or High Maintenance message:

Low = Smoke head is dead and needs to be replaced.

High = Smoke head is dirty and needs to be cleaned.

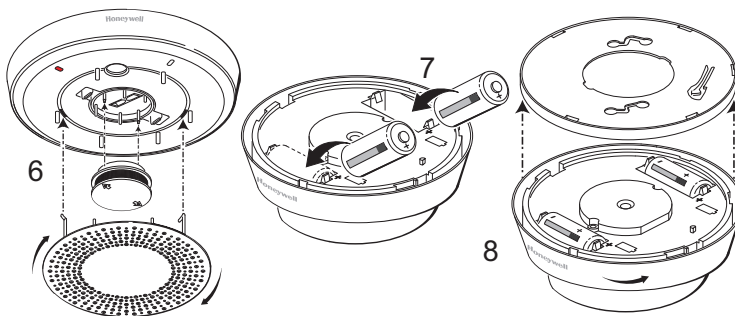
Recommended: To prevent unwanted alarms, notify the Central Station that the smoke detector system is undergoing maintenance before cleaning the detector.

1. Twist the top cover clockwise to remove it from the mounting plate.
2. Remove the batteries.
3. Wait at least 10 seconds to ensure the detector powers down properly.
4. Turn the detector cover counterclockwise to remove it and vacuum the cover.
5. Pull the screen sensing chamber out and vacuum to clean it.



Maintenance

6. Reinsert the screen/sensing chamber and press firmly to set it in place.
7. Reinsert the detector cover back over the screen/sensing chamber and turn it clockwise until it locks in place.
8. Reinsert the batteries.
9. Reattach the device to the mounting plate.



Maintenance (continued)

Battery Replacement

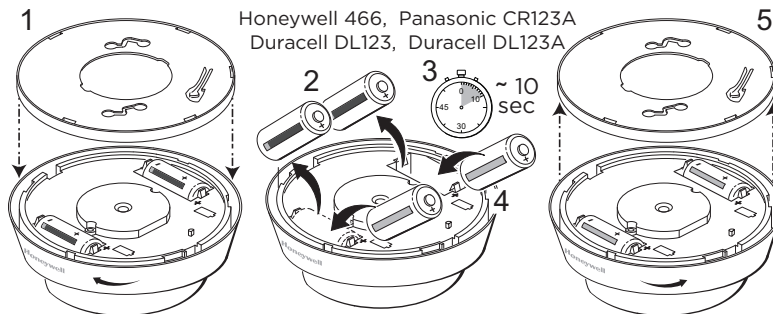
- Twist the front cover counterclockwise 15 degrees and separate it from the mounting bracket.
- Remove both batteries and wait 10 seconds, then insert two new batteries.

Recommended batteries:

- Honeywell 466
- Panasonic CR123A
- Duracell DL123 or DL123A

NOTE: Do not mix old and new batteries, battery types or manufacturers.

- Reattach to the detector to the mounting plate.



Replace Batteries

BATTERY CAUTION: Risk of fire, explosion and burns. Do not recharge, disassemble, heat above 212° F (100° C) or incinerate. Dispose of used batteries properly. Keep away from children.

Specifications:

Batteries: Two 3V Lithium; Honeywell 466, Panasonic CR123A, Duracell DL 123 or DL 123A

RF Frequency: 2.4GHz

Tamper: Cover tamper

Operating Temperature: 0° to 35° C / 32° to 95° F

Relative Humidity: 95% max. (Agency Compliance – 93% max.), non-condensing

Maximum Spacing: 50ft x 50ft (refer to National Fire Alarm Code Standard NFPA 72 for application requirements)

Dimensions: 13.46 cm Diameter x 4.19 cm Thick / 5.3 in. Diameter x 1.65 in. Thick

Approval Listings:

FCC / IC

ETL Listed – Conforms to UL 268 & UL 521

cETL Listed – Certified to ULC-S529 & ULC-S530

Other Standards:

NFPA 72 ANSI / SIA-CP-01

CSFM RoHS



NOTE: Smoke detectors are not to be used with detector guards unless the combination is evaluated and found suitable for that purpose.

FEDERAL COMMUNICATIONS COMMISSION & INDUSTRY CANADA STATEMENTS

The user shall not make any changes or modifications to the equipment unless authorized by the Installation Instructions or User's Manual. Unauthorized changes or modifications could void the user's authority to operate the equipment.

FCC / IC STATEMENT

This device complies with Part 15 of the FCC Rules, and RSS-210 of Industry Canada. Operation is subject to the following two conditions: (1) This device may not cause harmful interference, and (2) This device must accept any interference received, including interference that may cause undesired operation.

Cet appareil est conforme à la partie 15 des règles de la FCC & de RSS-210 des Industries Canada. Son fonctionnement est soumis aux conditions suivantes: (1) Cet appareil ne doit pas causer d'interférences nuisibles. (2) Cet appareil doit accepter toute interférence reçue y compris les interférences causant une réception indésirable.

RF EXPOSURE WARNING – The antenna(s) used for this device must be installed to provide a separation distance of at least 7.8 inches (20 cm) from all persons and must not be co-located or operating in conjunction with any other antenna or transmitter except in accordance with FCC multi-transmitter product procedures.

MISE EN GARDE EXPOSITION AUX FREQUENCES RADIO: L'antenne (s) utilisée pour cet émetteur doit être installée à une distance de séparation d'au moins 7,8 pouces (20 cm) de toutes les personnes.

For the latest documentation and online support information, please go to:
<https://mywebtech.honeywell.com/>

For the latest warranty information, please go to:
www.honeywell.com/security/hsc/resources/wa.

For patent information, see www.honeywell.com/patents



MyWebTech



Warranty



Patents

REFER TO THE INSTALLATION INSTRUCTIONS FOR THE CONTROL WITH WHICH THIS DEVICE IS USED, FOR DETAILS REGARDING LIMITATIONS OF THE ENTIRE ALARM SYSTEM.