

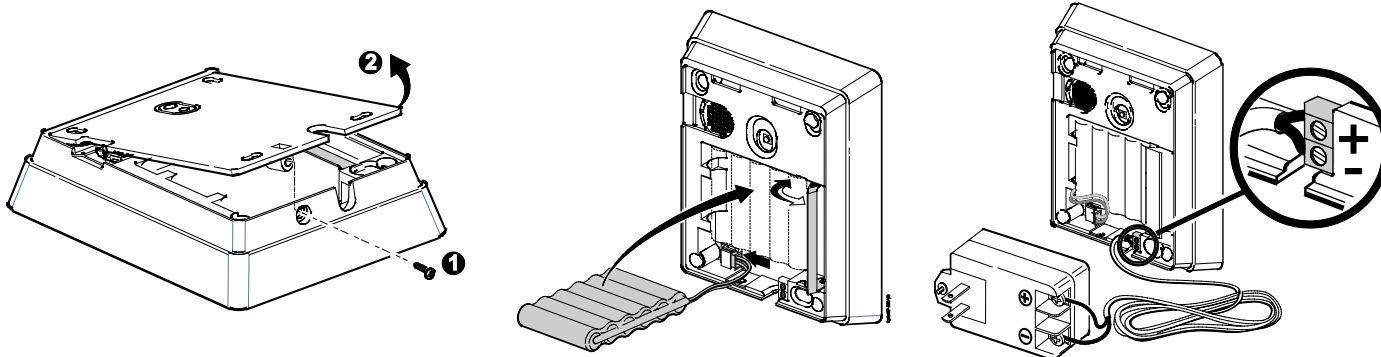
### FEATURES & NOTES

- Wireless alpha keypad serves as a secondary keypad for controlling the Lyric Smart Controller's security functions.
- Uses SiX™ technology protocol for secure, bidirectional communication.
- Use up to eight (8) keypads with the Lyric Smart Controller.
- Easy enrollment in the Controller.
- Mounts to a wall or desk stand.
- Supervised
- Locate the keypad within 300 feet of the Lyric Smart Controller.
- Powered by an external 110VAC input/9VDC output power pack (supplied).
- Battery pack (7.2VDC) provides 24-hour backup power (supplied).

#### Keypad Supervision

- Keypad supervision signals are sent every 60 seconds (cannot be changed). Supervision fault occurs if the controller fails to receive a keypad supervision signal within 200 seconds.
- When a trouble condition is detected, the keypad displays a trouble message and begins to beep.
- Press any key to stop the beeping.

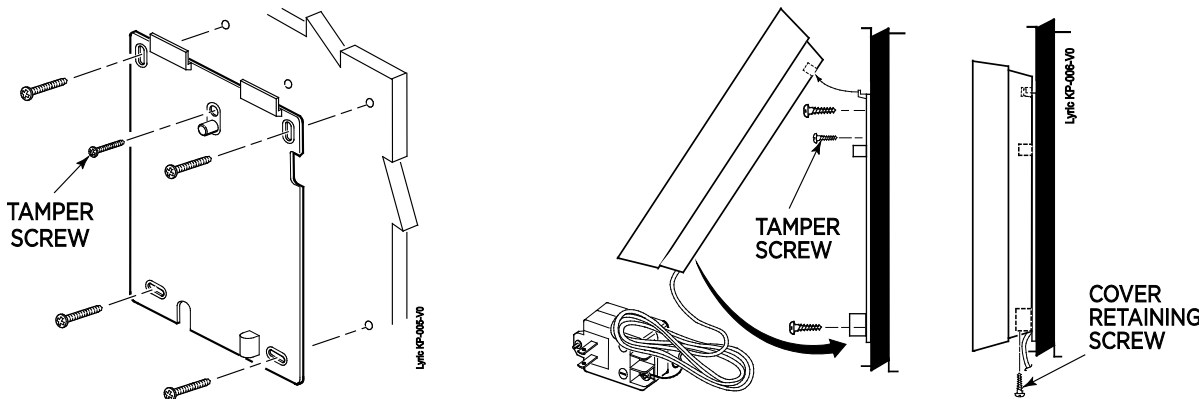
### INSTALL THE BATTERY AND CONNECT THE POWER SUPPLY WIRES TO THE KEYPAD



#### IMPORTANT:

**DO NOT** connect the power supply to an AC outlet until ready to enroll the keypad in the Controller. See "Enroll the Keypad" section.

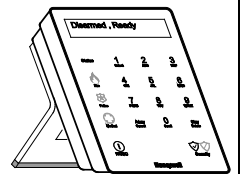
### MOUNT THE KEYPAD (Wall Mounting Shown)



**NOTE:** The keypad should not be mounted within line of sight of motion sensors.

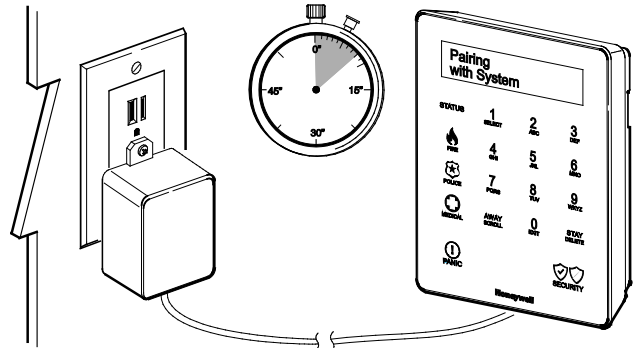
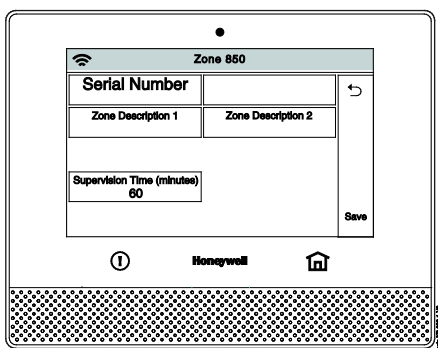
#### Desk Stand Mounting Option

If desired, the optional desk stand kit can be used. See instructions included with kit LKP500-DK.



### ENROLL THE KEYPAD

The keypad must be enrolled in the Lyric Smart Controller before it can be used.



1. At the Smart Controller, enter Programming mode and follow the control's instructions to enter keypad enrollment mode

Security > Tools > Installer Code > Program > [V] > RF Keypad > Add New (or select desired zone number and press Edit) > Serial Number.

- RF keypads are assigned zone numbers, starting with zone 850. Selecting "Add New" automatically assigns the next available RF keypad zone number.

4. After enrollment, program and save the keypad's zone options (zone descriptor, etc.) at the Smart Controller.

- NOTES:**
- Make sure to assign a descriptor to be assigned to the keypad for easy identification when keypad events occur.
  - After enrollment, update the Keypad firmware (via the Controller or AlarmNet 360) to ensure the latest version is used. See Controller's instructions.

2. While the Controller is in enrollment mode, plug the keypad's power pack into a 24hr, non-switchable 110VAC, 60Hz outlet.

- The keypad automatically attempts to pair with the Controller.
- If enrollment is not successful, press any of the keys on the keypad to restart the pairing process or disconnect and reconnect power.

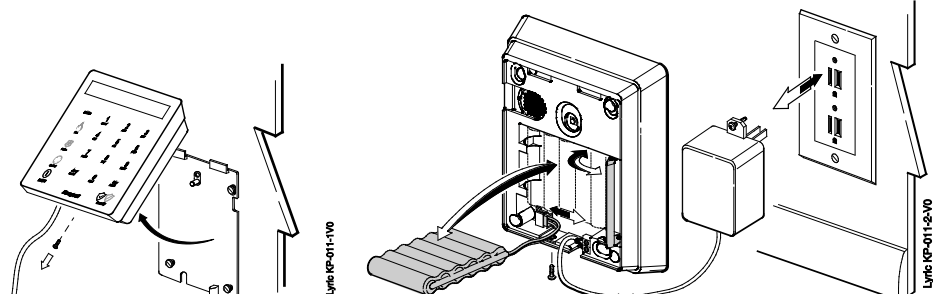
3. After successful pairing, keypad beeps and display goes blank until exit of program mode. System then displays Disarmed, Ready.

- When enrolled, the keypad's ID number appears on the Controller's screen.

**IMPORTANT:** Once enrolled, the keypad cannot be used with another control panel until it is un-enrolled (deleted) from the current controller. See the Smart Controller's Programming Guide for details on removing devices.

### BATTERY REPLACEMENT

**IMPORTANT:** Unplug the keypad power supply BEFORE starting. Reconnect power after the keypad is re-mounted.



### SPECIFICATIONS

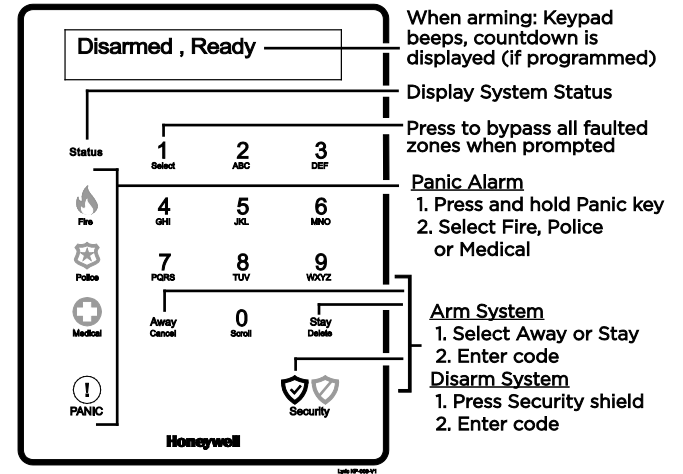
Physical:	3.75" W x 4.625" H x 1.125" D (95mm x 118mm x 29mm)
Frequency:	2.4 GHz
Battery Pack:	LKP500-24B: Battery part number 300-06868-GP: 7.2V, 6xAAA, 6x600mAH, NiMH
Transformer:	Part number 300-07332US: 110VAC, 60Hz input/9VDC, output 1A, 2-prong Canada use: 300-07332CAN
LCD Display:	2x16
Sounder:	Speaker/Codec
Approvals	UL985/UL1023; ULC-S545 & ULC/ORD-C1023

# USING THE KEYPAD

The Lyric Smart Keypad can control the security functions of the Lyric Smart Controller. The keypad also has two menus for setting various options (see Keypad Settings Menu below). Refer to the Lyric Smart Controller's User Guide for more information about Security functions.

## Keypad System Functions

FUNCTION	PRESS	NOTES
Arm Away	<b>Away</b> then enter user code.	Exit delay begins. System arms in Away mode. (see User Guide for Auto-Stay option, if enabled)
Arm Stay	<b>Stay</b> then enter user code.	Exit delay begins. System arms in Stay mode.
Quick Arm (if programmed)	Hold <b>Security Shield</b> for 3 seconds, then select <b>Away</b> or <b>Stay</b> arming mode.	Quick Arm allows arming the system without entering a user code. Exit delay begins. System arms in selected mode.
Bypass Zones (if zones are faulted)	With system not ready: <b>Away</b> or <b>Stay</b> then enter user code. Press <b>Select</b> when prompted.	System automatically bypasses all faulted zones and arms in the selected mode. <b>NOTE:</b> Force Bypass must be enabled at the controller for this feature to operate.
Panic (if programmed)	Hold <b>Panic</b> key for 3 seconds, then select: • Fire • Police (default = silent) • Medical	The 3 Panic keys light red until one is selected, then: • An alarm signal is sent to the central station • Alarm sounding starts (if programmed to do so) • If the selected Panic function is programmed to be silent, the keypad returns to normal state.
Disarm	<b>Security Shield</b> , then enter user code.	System disarms.
Cancel Silent Panic Alarm	<b>Security Shield</b> , then enter user code.	Panic alarm is canceled.
Display security status	<b>Status</b>	Displays the system's current security status. (Armed/Disarmed, Away/Stay/Custom arming mode, exit countdown, Ready/Not Ready, Fault, Trouble and Bypass conditions.)
Cancel	Cancel	Cancels the entry and returns to Status display.



## Shield & Panic Indicators

The Security shield is a single key; the and icons are **not** separate buttons. Security status is indicated by color:

Indicator	Color	State	Meaning
Security Shield	unlit	unlit	• System disarmed, not ready to arm, (press Status key to show faults) • Zone fault or zone trouble • AC loss or low battery
		lit steady	• System ready to arm
		lit steady blinking	• System armed • Exit delay in progress, system arming
Status	White	blinking	• AC Loss or low battery
Panic	unlit	unlit	• Not active. • AC loss or low battery
		lit steady	• Active, waiting for selection of panic alarm type.

## Keypad Settings Menu

There are two Settings menus: User Settings and Advanced Menu. Use the Select, Scroll and Cancel keys to navigate the menus.

Key	Function
Select [1]	Press and hold to start the Settings menu. Also used to select menu options.
Scroll [0]	Press to scroll through the available menus and the settings in menus.
Cancel (Away)	Cancels the current entry and returns to Status display.

### To Access User Settings

- Press and hold the **Select [1]** key until the menu begins.
  - Use the **Scroll [0]** key to scroll the settings.
  - Use the **Select** key to choose the desired menu item.
  - Use the **Scroll** key to toggle the menu options.
  - Press the **Select** key to save your settings.
- Press **Cancel** at any time to exit the menu.

**User Settings Menu** (brackets [ ] indicate default values; greater than symbol ">" on keypad display indicates keypad's current setting)

Options	Setting	Notes
<b>Chime</b>	[On]/Off	On: keypad beeps when a zone is faulted if Chime mode is turned on at the control** Off: keypad does not beep upon faulted zones
<b>Exit Tone (beeps)</b>	[On]/Off	On: keypad beeps during exit delay period Off: keypad does not beep during exit delay
<b>Entry Tone (beeps)</b>	[On]/Off	On: keypad beeps during entry delay period Off: keypad does not beep during entry delay
<b>Voice Volume</b>	[Med]/High/Off	Adjusts the desired volume for keypad announcements. Off: mutes arm/disarm announcements; alarms are always announced
<b>Key Level</b>	[Med]/High/Low	Adjusts the brightness of key lighting.
<b>Display Level</b>	[Med]/High/Low	Adjusts the brightness of the display.
<b>Backlight (for display)</b>	[Always On] Auto Off On Alarm Only	Always On: display remains always on Auto-Off: display turns off after a period of inactivity. On Alarm Only: display turns on when an alarm occurs and remains lit until the keypad is disarmed.

\*\*Residential Monitor Zone Type Note: If using Residential Monitor zone type and the respective chime at the keypad is desired, the keypad must be set for Chime = ON,

### Firmware Upgrades

Software upgrades may be available for this product. Upgrades can be installed manually using the Lyric Smart Controller or can be done via AlarmNet 360™.

To upgrade the keypad firmware using the Lyric Smart Controller, go to the following Controller menu and follow the prompts:

**Security > Tools > Master Code > Advanced > Upgrade Sensor Firmware**

After performing the upgrade command, the keypad displays the upgrade status then, when done, automatically resets twice. After the keypad completes the reset, it returns to normal operation.

#### RF Exposure

**Warning** - The antenna(s) used for this device must be installed to provide a separation distance of at least 7.8 inches (20 cm) from all persons and must not be co-located or operating in conjunction with any other antenna or transmitter except in accordance with FCC multi-transmitter product procedures.

#### Mise en Garde

**Exposition aux Fréquences Radio:** L'antenne (s) utilisée pour cet émetteur doit être installée à une distance de séparation d'au moins 7,8 pouces (20 cm) de toutes les personnes.

### To Access the Advanced Menu

- Press and hold the [3] key until "Advanced Menu Use Scroll Key" is displayed.
  - Use the **Scroll [0]** key to scroll the menus.
  - Use the **Select** key to choose the desired menu item.
  - Use the **Scroll** key to view the information.
- Press **Cancel** at any time to exit the menu.

### Advanced Menu

Setting	Options	Notes
<b>Firmware</b> Use <b>Scroll</b> to choose firmware components	App (version level) Touch (touch screen) Boot (boot loader) RF6 (comm. protocol) MAC (MAC ID)	Displays the various keypad component firmware versions. See Firmware Upgrades section for details on upgrading the firmware. MAC: displays the keypad's MAC ID.
<b>Default Keypad</b>	Cancel/Delete <b>NOTE:</b> After 24 hours, the "Delete" function is disabled. If selected after 24 hours, "Must use panel to delete" is displayed. If keypad removal is needed, the keypad must be deleted from the associated controller using the controller's programming options.	Delete: if used within 24 hours of initial enrollment, allows keypad reenrollment in a specific controller in case enrollment in that controller failed (i.e., the keypad inadvertently enrolled in a different controller). "Delete" resets the keypad to factory default settings and removes the communication link data in the controller in which it is enrolled, allowing the keypad to be reenrolled in the desired controller. Cancel: exits from Default Keypad screen without making a change.
<b>Reset Keypad</b>	Cancel/Select	Use to manually reset the keypad.

### FEDERAL COMMUNICATIONS COMMISSION & INDUSTRY CANADA STATEMENTS

The user shall not make any changes or modifications to the equipment unless authorized by the Installation Instructions or User's Manual. Unauthorized changes or modifications could void the user's authority to operate the equipment.

#### CLASS B DIGITAL DEVICE STATEMENT

This equipment has been tested to FCC requirements and has been found acceptable for use. The FCC requires the following statement for your information: This equipment generates and uses radio frequency energy and if not installed and used properly, that is, in strict accordance with the manufacturer's instructions, may cause interference to radio and television reception. It has been type tested and found to comply with the limits for a Class B computing device in accordance with the specifications in Part 15 of FCC Rules, which are designed to provide reasonable protection against such interference in a residential installation. However, there is no guarantee that interference will not occur in a particular installation. If this equipment does cause interference to radio or television reception, which can be determined by turning the equipment off and on, the user is encouraged to try to correct the interference by one or more of the following measures:

- If using an indoor antenna, have a quality outdoor antenna installed.
- Reorient the receiving antenna until interference is reduced or eliminated.
- Move the radio or television receiver away from the receiver/control.
- Move the antenna leads away from any wire runs to the receiver/control.
- Plug the receiver/control into a different outlet so that it and the radio or television receiver are on different branch circuits.
- Consult the dealer or an experienced radio/TV technician for help.

#### INDUSTRY CANADA CLASS B STATEMENT

This Class B digital apparatus complies with Canadian ICES-003. Cet appareil numérique de la classe B est conforme à la norme NMB-003 du Canada.

#### FCC / IC STATEMENT

This device complies with Part 15 of the FCC Rules, and RSS-210 of Industry Canada. Operation is subject to the following two conditions: (1) This device may not cause harmful interference, and (2) This device must accept any interference received, including interference that may cause undesired operation.

Cet appareil est conforme à la partie 15 des règles de la FCC & de RSS-210 des Industries Canada. Son fonctionnement est soumis aux conditions suivantes: (1) Cet appareil ne doit pas causer d'interférences nuisibles. (2) Cet appareil doit accepter toute interférence reçue y compris les interférences causant une réception indésirable.

### SUPPORT & WARRANTY

For the latest documentation and online support information, please go to: <https://mywebtech.honeywell.com/>

For the latest warranty information, please go to: [www.honeywell.com/security/hsc/resources/wa](http://www.honeywell.com/security/hsc/resources/wa).

For patent information, see [www.honeywell.com/patents](http://www.honeywell.com/patents)



MyWebTech



Warranty



Patents



800-19484V1 11/15 Rev. D

# Honeywell

2 Corporate Center Drive, Suite 100  
P.O. Box 9040, Melville, NY 11747  
Copyright © 2015 Honeywell International Inc.  
[www.honeywell.com/security](http://www.honeywell.com/security)