



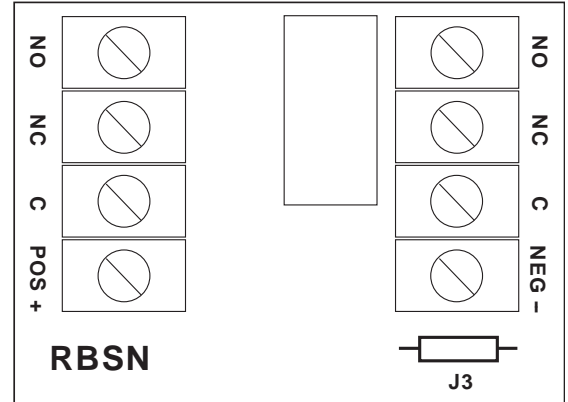
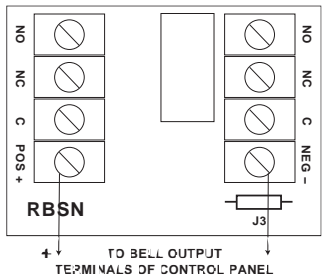
Altronix®

RBSN - Relay Module

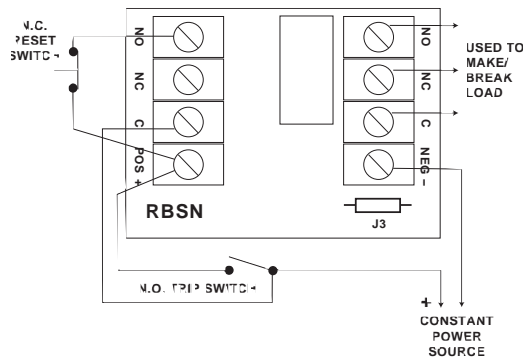
Specifications:

- 12VDC or 24VDC selectable operation.
 - 1,000 ohm coil draws only 10mA.
 - Factory set for 12VDC cut jumper J3 for 24VDC operation.
 - 2 amp/120VAC/28VDC DPDT contacts.
 - Snap track mountable (order part # ST1).
- Board dimensions: 2.75"L x 2"W x 1"H

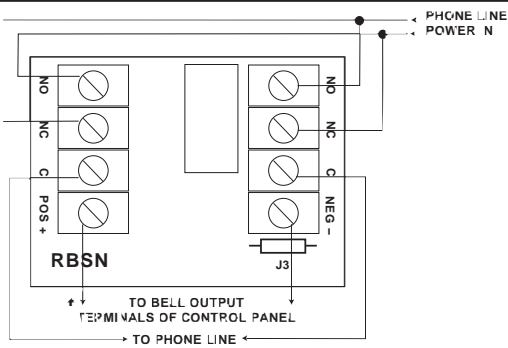
Dry Contacts



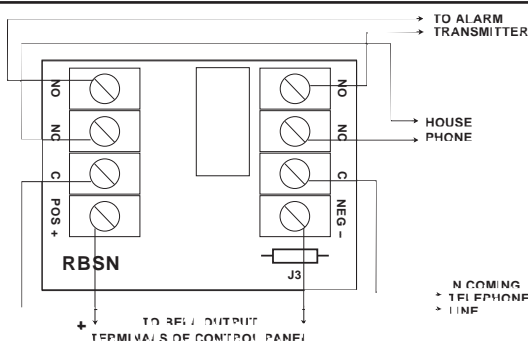
Latching Dry Contacts



Polarity Reversal



Line Seizure



Altronix is not responsible for any typographical errors. Product specifications are subject to change without notice.

